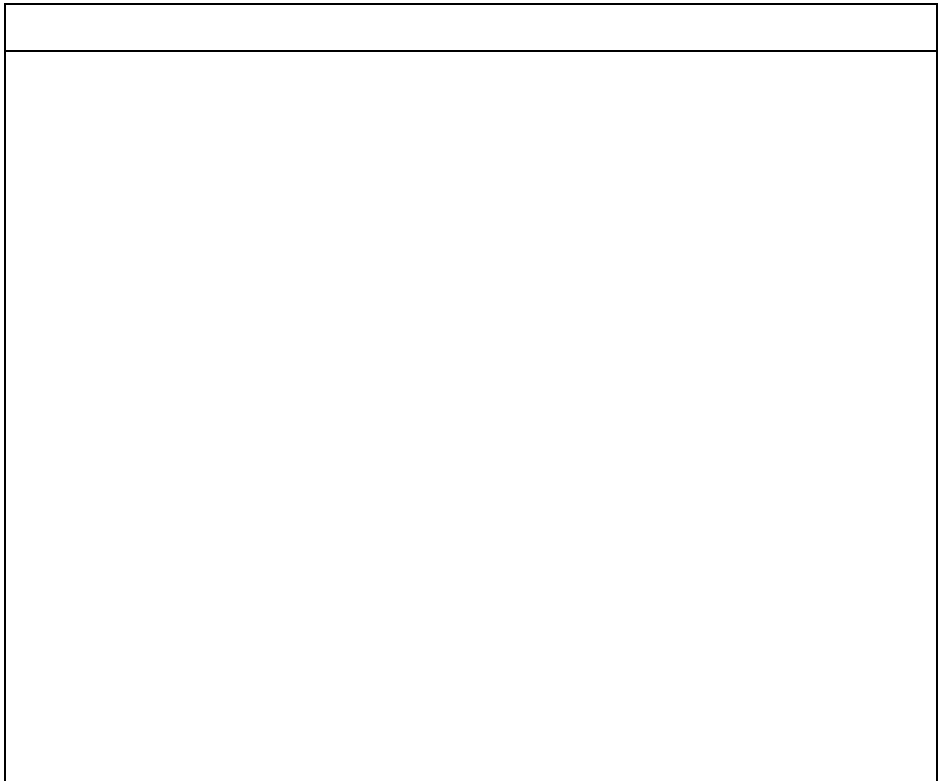


Installation Guide

SY-HDBT-60 Extender Set

SY-HDBT-60 Set

HDMI + IR over 60m of cat6 Cable



HDBaseT HDMI Extenders

SY-HDBT-60T / SY-HDBT-60R

The **SY-HDBT-60T** and **SY-HDBT-60R** HDBaseT transmitter / receiver pair, broadcast HDMI and two-way IR control up to 60m with perfect quality. Suitable for AV industry, Digital-Signage and at Home.

Features

- Extend HDMI and data up to 60m with HDCP support and HDMI 1.4a compatibility
- Supports all HDMI resolutions up to 4k x 2k (including: 1080p, 1080i,, 480p and 480i)
- Provides transmission of IR signals over the same cable in both directions
- Supports 3D and CEC

Connectors and Controls

Front



Name	Transmitter	Receiver
LINK LED	Indicates the transmitter / receiver pair are linked and communicating.	
POWER LED	Unit powered	
HDMI CONNECTOR	HDMI input from source device	HDMI output to display device
IR CONNECTORS	IR IN (input from IR Detector) and IR OUT (output to IR Emitter)	

Rear



Name	Transmitter	Receiver
Power	5V DC power connector	
HDBaseT	RJ45 for Cat6 cable between the Transmitter and the Receiver	

Using the HDBaseT HDMI Extenders

HDMI Extender

Connect a HDMI source to the HDMI IN socket on the HDBT-60T and connect a HDMI display to the HDMI OUT socket on the HDBT-60R. Connect a cat6 UTP cable to the HDBaseT sockets of both the transmitter and receiver units. Connect the 5V Power supply to both the transmitter and the Receiver units.

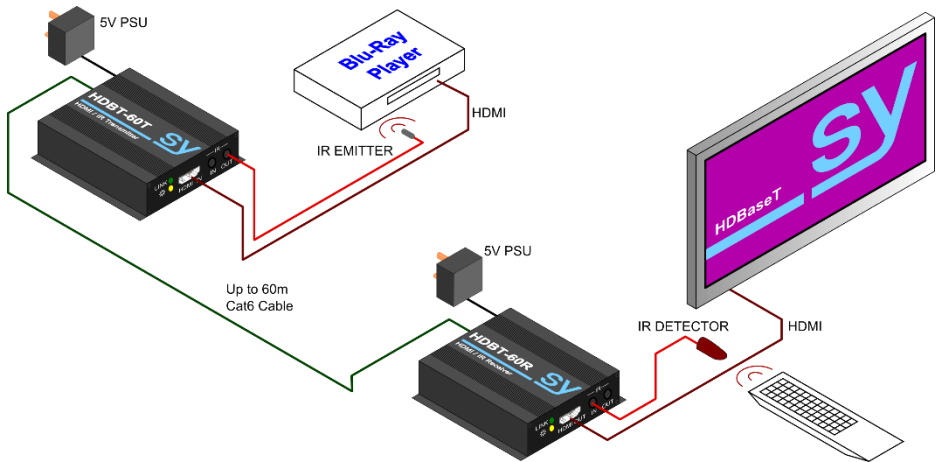
IR – Dual Bidirectional

To use the IR Extender option, connect the IR Detector to the IR IN socket of either the HDBT-60R or the HDBT-60T as required and the IR Emitter to the corresponding transmitter or receiver IR OUT socket. Locate the IR Emitter close to the device you wish to control. All IR control functions are hence possible from the remote location.

LINK LED

The LINK LED indicates that the transmitter and receiver units are communicating. This Led will flash while the Transmitter and Receiver units establish a connection, after the LINK LED will remain on to indicate a successful connection is present between the transmitter and the receiver.

Figure 1 - Configuration Example



Specifications

General

HDMI Resolutions	480i, 480p, 720i, 720p, 1080i, 1080p, 1920 x 1200 – 4k x 2k	
HDMI Standard	HDMI 1.4a – 3D capable - 19 pin HDMI –A	
HDCP Standard	HDCP 2.0 & CEC	
DVI Standard	DVI 1.1	
HDMI Link Mode	HDBaseT	
Maximum cat6 distance	Up to 60m cat6	
IR Control	38kHz or 56kHz carrier frequency for any control protocol	
Power Supply	5V DC - DC2.5 Jack	
Power Consumption	SY-HDBT-60T : 2.1 W	SY-HDBT-60R : 5 W

Environmental

Operating Temperature	0 – 40 °C	non condensing
------------------------------	-----------	----------------

Physical

Dimensions (W x H x D)	83 x 93 x 25 mm – including mounting flanges	
Weight	SY-HDBT-60T: 300 g	SY-HDBT-60R: 300 g

Safety Instructions

To ensure reliable operation of these products as well as protecting the safety of any person using or handling these devices while powered, please observe the following instructions.

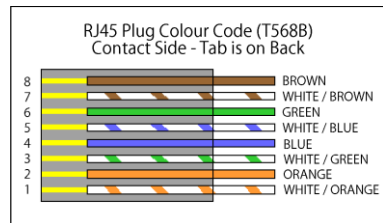
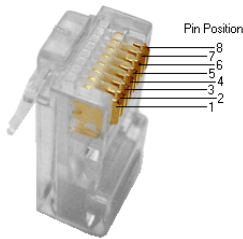
1. Use the power supplies provided. If an alternate supply is required, check Voltage, polarity and that it has sufficient power to supply the device it is connected to.

SY-HDBT-60T / SY-HDBT-60R

2. Do not operate either of these products outside the specified temperature and humidity range given in the above specifications.
3. Ensure there is adequate ventilation, as these products generate heat while operating.
4. Repair of the equipment should only be carried out by qualified professionals as these products contain sensitive devices that may be damaged by any mistreatment.
5. Only use these products in a dry environment. Do not allow any liquids or harmful chemicals to come into contact with these products.

RS-45 Wiring

Both connectors must be wired identically.



Note: HDBaseT will not pass through any Ethernet device, the HDBaseT port on the SY-HDBT-60T must be connected directly to the HDBaseT port on the SY-HDBT-60R.

Please do make sure that all 4 pairs of 23AWG solid copper wires in the Cat6 cable are used.

After Sales Service

1. Should you experience any problems while using these products, firstly refer to the Troubleshooting section in this manual before contacting SY Technical Support.
2. When calling SY Technical Support, the following information should be provided:
 - Product name and model number
 - Product serial number
 - Details of the fault and any conditions under which the fault occurs.
3. These products have a two year standard warranty, beginning from the date of purchase as stated on the sales invoice. Online registration of these products is required to activate the full three year extended warranty. For full details please refer to our Terms and Conditions.
4. SY Product warranty is automatically void under any of the following conditions:
 - The product is already outside of its warranty period
 - Damage to the product due to incorrect usage or storage
 - Damage caused by unauthorised repairs
 - Damage caused by mistreatment of the product
5. Please direct any questions or problems you may have to your local dealer before contacting SY Electronics.